

PROMASTER



 **RAM** **COMMERCIAL**

BUSINESS LINKTM
The fast lane for small business.

**ON THE
JOB**TM



QUALITY. RELIABILITY. EFFICIENCY.

GAS-POWERED PENTASTAR®: THE BEST V6 IN OUR HISTORY. Pentastar engineering delivers gas-powered capability at benchmark levels, using economical 87-octane unleaded. This award-winning and state-of-the-art engine is all about business, providing quiet operation with clean-burning Variable Valve Timing (VVT) meeting those needed torque levels for towing and hauling.

AN IMPROVED TRANSMISSION. Upgrades to the 6-speed automatic mated to the Pentastar include a modified park system and a new differential cover for the 3-point mount, and contribute to the exceptional Gross Vehicle Weight ratings.

THE ECODIESEL: EFFICIENT POWER, OUTSTANDING TORQUE. The in-line 4-cylinder EcoDiesel includes a Variable Geometry Turbocharger for better throttle response, and better cold-start capability from a new MTA cold-start kit, with new engine controllers and EGR modules. A new front-end accessory drive provides a powerful standard 220-amp alternator for this incredibly clean-burning diesel engine.

THE PERFECT POWERTRAIN PARTNER. The EcoDiesel engine is mated to an automated manual transmission, engineered with a clutchless, electronically controlled actuation kit for simple operation and reduced maintenance schedules.

3.6L PENTASTAR V6 WITH VVT



280 HORSEPOWER BACKED BY
260 LB-FT OF TORQUE

3.0L ECODIESEL I4



174 HORSEPOWER BACKED BY
295 LB-FT OF TORQUE



INDUSTRIAL DESIGN AT ITS BEST.

CONFIGURE IT YOUR WAY — AND BUILD YOUR BUSINESS. It's simple. Examine every proven commercial vehicle concept — and then design the next generation. New Ram ProMaster does it by offering an unprecedented range of conversion possibilities, resulting in hundreds of possible configurations. Distinctive Ram ProMaster advantages give you three wheelbases, modular construction, front-wheel-drive engineering, and easy walk-through from cab to cargo area, with surprisingly low cost of ownership for all models.

A TOTAL FOCUS ON COMFORT AND CONTROL. Uconnect® and a smartly appointed interior let new Ram ProMaster deliver superb comfort and communications.



UCONNECT. STAY IN TOUCH, WITHOUT TOUCHING A THING. This is how you operate your company at the speed of ingenuity. Rely on Ram and Uconnect to keep it all together — because today, it's all about staying in immediate touch with staff, clients, suppliers and colleagues.

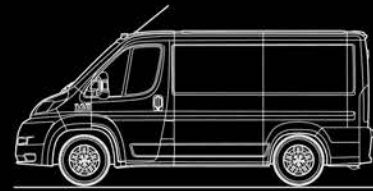
HANDS-FREE OPERATION. The available Uconnect family of electronics puts state-of-the-art into state of action. Voice Command lets you or your employees utilize vocally activated systems that range from navigation to hands-free text messaging. The system even syncs your phone each time you enter the vehicle — up to 1,000 entries in your address book.⁽¹⁾



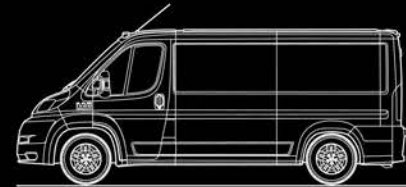
STANDARD ROOF



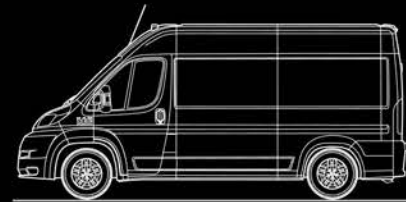
RAM PROMASTER CARGO VAN WITH STANDARD ROOF. The design reflects pure pragmatism: achieve the highest levels of capability with low costs of ownership. Count on a unibody design with modular engineering to minimize upkeep and, if needed, replacement of parts. The 118-inch wheelbase version supplies enormous interior space; go with the 136-inch wheelbase, and the standard roof delivers outstanding interior room: 353 cubic feet.



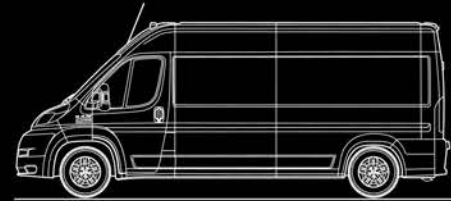
RAM PROMASTER 1500, 118" WB, LOW ROOF



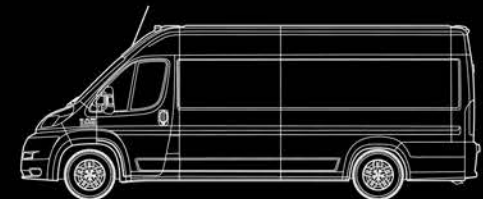
RAM PROMASTER 1500, 136" WB, LOW ROOF



RAM PROMASTER 1500/2500, 136" WB, HIGH ROOF



RAM PROMASTER 2500/3500, 159" WB, HIGH ROOF



RAM PROMASTER 3500, 159" WB EXTENDED, HIGH ROOF

HIGH ROOF



RAM PROMASTER CARGO VAN WITH HIGH ROOF. High roof option for all weight classes for Cargo Van offers stunning latitude for interior customization, with an interior standing height of 76 inches — letting 6-foot 4-inch-tall workers and/or passengers move in comfort. Interior cargo space offers a cavernous 530 cubic feet. With interior payload capacity at 4,417 pounds for Ram ProMaster 3500, this is one work van designed for the toughest assignments.

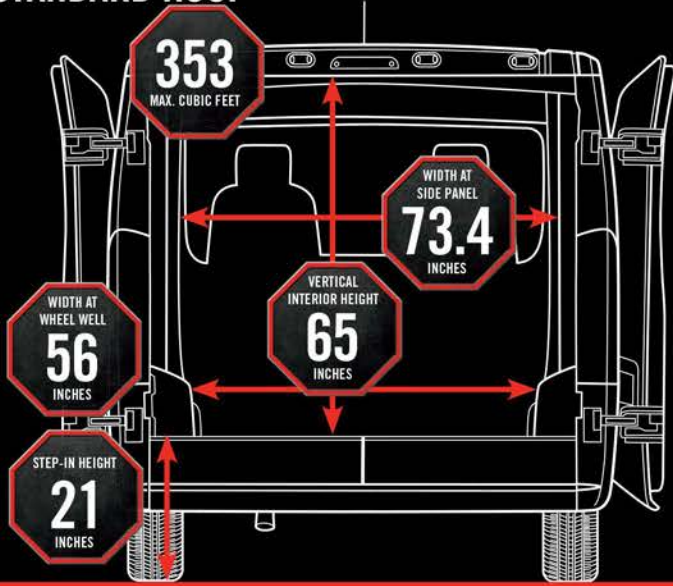
CHASSIS CABS AND CUTAWAYS*

Wheelbase	136	159	159 Ext.
Cab to Rear Axle	81	104	104
Overall Length	211	234	248
Overall Max Allowable Upfit Length	248	255	291
Roof Height	90	90	90
Frame Height	25.5	25.5	25.5
Body Width	82.7	82.7	82.7
Outside Frame Width	52	52	52
Max Payload (lb) (Gas Engine)	5,145/5,189	5,123/5,167	5,090/5,134

*Measurements in inches unless noted otherwise.



STANDARD ROOF

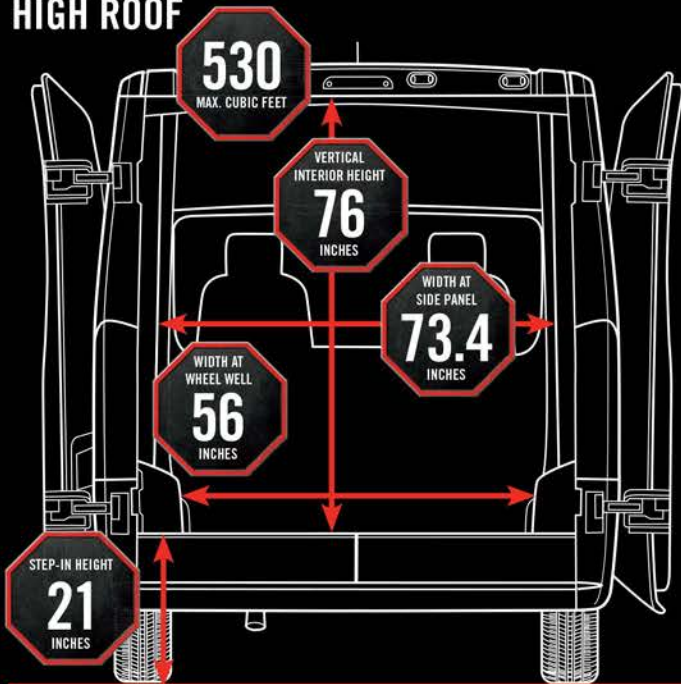


STANDARD ROOF: SPECIFICATIONS*

	1500	1500
Wheelbase	118	136
Overall Length	195	213
Vertical Interior Height	65	65
Overall Roof Height	90	90
Cargo Width at Wheel Well	56	56
Cargo Width at Side Panel	73.4	73.4
Overall Body Width	82.7	82.7
Load Floor Length	105	123
Cargo Volume (cu ft)	283	353
Rear Door Swing (degrees)	260	260
GVWR (lb)	8,550	8,550
Max Payload (lb) (Gas Engine)	3,922	3,852

*Measurements in inches unless noted otherwise.

HIGH ROOF



HIGH ROOF: SPECIFICATIONS*

	1500	2500	2500	3500	3500
Wheelbase	136	136	159	159	159
Overall Length	213	213	236	236	250
Vertical Interior Height	76	76	76	76	76
Overall Roof Height	101	101	101	101	101
Cargo Width at Wheel Well	56	56	56	56	56
Cargo Width at Side Panel	73.4	73.4	73.4	73.4	73.4
Overall Body Width	82.7	82.7	82.7	82.7	82.7
Load Floor Length	123	123	146	146	160
Cargo Volume (cu ft)	406	406	459	459	530
Rear Door Swing (degrees)	260	260	260	260	260
GVWR (lb)	8,550	8,900	8,900	9,350	9,350
Max Payload (lb) (Gas Engine)	3,794	4,113	3,998	4,417	4,280

*Measurements in inches unless noted otherwise.

SEATING



BUCKET SEATS WITH SUSPENSION. Comfort is part of the package. Standard on new Ram ProMaster are front cloth bucket seats, with vinyl seats also available.

THREE-OCCUPANT SEATING. Need ample room for the crew? Opt for three-person seating, with a single cloth bucket seat for the driver, and an integrated two-seat configuration that also gives you an available fold-down writing surface in the center seat.

SWIVEL SEATING. Certain situations demand greater seat engineering; the available swivel seats are the answer.

WORK WITH A REAL PRO.

NEW RAM PROMASTER AT A GLANCE

VEHICLE: Class 2 – Cargo, Glazed, Chassis Cab and Cutaway

GVWRs: 8,550 lb, 8,900 lb, 9,350 lb

WEIGHT CLASSES: 1500, 2500, 3500

FUEL CAPACITY: 24-gallon tank, standard

ENGINE SPECIFICATIONS

V6 GAS: 3.6L Pentastar® V6 gas engine, with 280 hp and 260 lb-ft of torque, mated to the 6-speed automatic transmission; recommended oil changes: 8 – 10,000 miles; features include regular 87-octane fuel operation and Variable Valve Timing

DIESEL: 3.0L in-line 4-cylinder EcoDiesel, with 174 hp and 295 lb-ft of torque, mated to an automated manual transmission; recommended oil change: 15,000 miles; features include outstanding levels for noise, vibration and harshness; state-of-the-art Selective Catalytic Reduction after-treatment, high-performance Variable Geometry Turbocharger and low cost of ownership

CARGO VAN SPECS

BODY: Single body style in unibody construction, in three wheelbases, four body lengths and two roof heights:

SIDE AND REAR DOOR HEIGHT: 60-inch (H1); 70-inch (H2)

SIDE DOOR WIDTH: 42-inch on 118 WB; 49-inch all others

REAR DOOR WIDTH: 62-inch, all models

INTERIOR PAYLOAD CAPACITY: 4,417-lb max.

TOWING CAPACITY: 5,100-lb (when properly equipped)

ROOF LOAD CAPACITY: 330-lb

CARGO VAN FEATURES

PANEL TREATMENTS: Available glazed side panel, rear door

WINDOWS: Multiple available treatments, including windows all around; side only; rear only; and solid panels for side and rear for added privacy and security

SAFETY AND SECURITY FEATURES AND DAMAGE CONTROL FEATURES

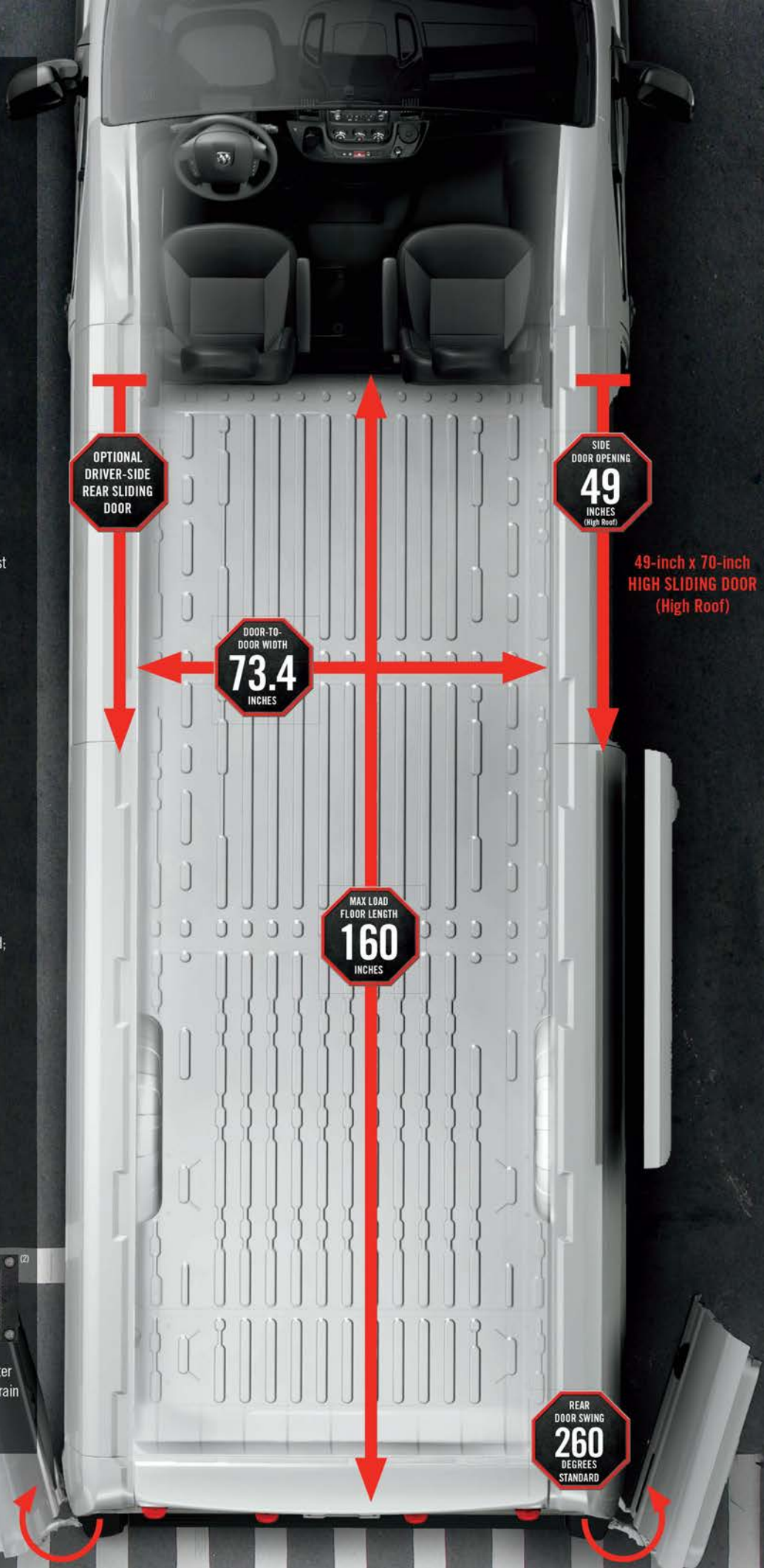
AIR BAGSSM: Six standard

CAMERA: Rear back-up camera, available

BODY PROTECTION: Ram ProMaster Cargo Van features low-mounted protective side panels to guard against impacts from hi-los and other loading devices

**5-YEAR/100,000-MILE
POWERTRAIN LIMITED WARRANTY**

Quality is built into every new Ram ProMaster by design. Your Ram ProMaster work truck is fully covered by our comprehensive 5-Year/100,000-Mile Powertrain Limited Warranty,⁽²⁾ and is further backed with our 3-Year/36,000-Mile Bumper-to-Bumper Limited Warranty.⁽²⁾ See your dealer for details.



EXTERIOR COLORS

BRIGHT WHITE	FLAME RED	BLACK	GRANITE CRYSTAL PEARL METALLIC
BRIGHT SILVER METALLIC	SANDSTONE METALLIC	DEEP CHERRY RED METALLIC	TRUE BLUE METALLIC

SEEING IS BELIEVING: THIS IS ONE OUTSTANDING WORK SITE. From the ground up, new Ram ProMaster was designed to allow complete customization of the interior. Nearly vertical side walls enable enormous latitude for interior upfits, with ample room for storage almost everywhere you look.

WINDOWS, PANELS, DOORS AND FLOORS. This is a vehicle created for total adaptability to the job and business at hand. So count on multiple choices for upper and lower panels and side wall treatments that include windows all-around, partial windows, or solid side and rear panels for the ultimate in privacy and security. Anticipate customizing the entire interior?

New Ram ProMaster gives you a wealth of options, and is designed for available aftermarket features that let you add partitions, cabinets and even a work bench.

IDEAL FOR YOUR BUSINESS. All-new Ram ProMaster capability and strength are backed with numerous options for your business that help give your company an edge in capability and appearance. Options range from wheels to colors. For more information, go to chryslercommercialvehicles.com or contact your local BusinessLink™ dealer.



BUSINESS LINK[™]
The fast lane for small business.

BUSINESSLINK™ CAN HELP KEEP YOUR BUSINESS VEHICLES ON THE ROAD TO SUCCESS. Your free BusinessLink™ membership provides priority treatment and one-stop service and sales support. Our dedicated network of BusinessLink™ dealers are committed to being valued partners. And ON THE JOB™ incentives⁽⁴⁾ help keep costs down and your business running strong.



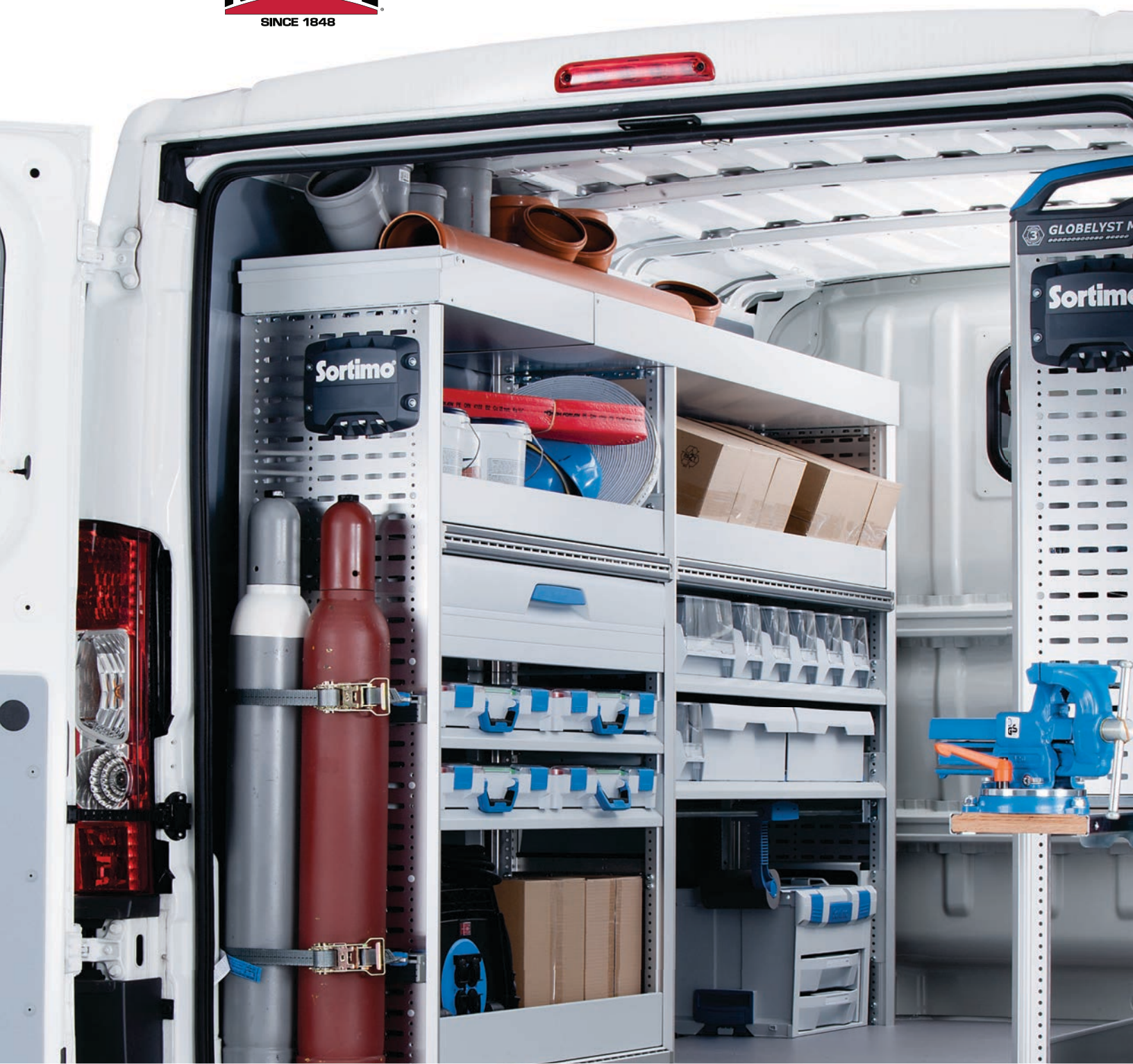
ramtrucks.com/commercial • 877-2THELINK

⁽¹⁾Requires Bluetooth enabled mobile phone. ⁽²⁾See your dealer for complete details and a copy of the limited warranties. ⁽³⁾Always sit properly in the seat with the seat belt fastened. Children 12 and under should always be in a backseat correctly using an infant or child restraint system or the seat belt positioned correctly for the child's age and weight. All occupants should always wear their lap and shoulder belts properly. ⁽⁴⁾On The Job is a retail incentive program, see your dealer for official program rules. Offer ends 1/2/14. Inquire about eligibility by calling 877-ONTHEJOB or by logging on to chryslercommercialvehicles.com. The purchaser or lessee must be a qualified commercial customer for more than 30 days prior to the date of vehicle purchase. An official On The Job Customer Acknowledgement Form must be signed by the customer (provided by the dealer).

©2013 Chrysler Group LLC. All rights reserved. All product illustrations and specifications are based upon current information at the time of publication approval. Chrysler Group LLC reserves the right to make changes from time to time, without notice or obligation, in prices, specifications, colors, materials, and to change or discontinue models, which are considered necessary to the purpose of product improvement or for reasons of design and/or marketing. Chrysler, Ram, Pentastar and Uconnect are registered trademarks and Ram ProMaster, BusinessLink and On The Job are trademarks of Chrysler Group LLC. Bluetooth is a registered trademark of Bluetooth SIG, Inc.

Sortimo[®]
by **KNAPHEIDE**
SINCE 1848

PROMASTER



Upfit your Ram ProMaster with the innovative Globelyst system from Sortimo & Knapheide.



Organization Lightweight Flexibility Mobility Safety

Organization

The Globelyst system enables the technician to be more organized both on and off the jobsite. From BOXXes to drawers, the Globelyst system forms numerous storage applications for virtually any tools, equipment, and consumables. This unmatched organization can directly translate into more efficiency and greater revenue potential for your business.

Lightweight

Globelyst components are constructed of a mix of lightweight yet durable materials. Utilizing these alternative materials means more available payload, less wear and tear on your commercial van, and reduced fuel expenses.

Flexibility

Drawers, shelving, accessories, and the simple S-BOXX up to the complex L-BOXX, the Globelyst system offers a myriad of storage options. From a plumber to a locksmith, Globelyst can form the customized configuration you need for your vocation.

Mobility

M-BOXXes, T-BOXXes, and L-BOXXes are mobile by design with ergonomic handles that make transport a breeze. Carry your essential tools and hardware from curb side to work site and back quickly and easily.

Safety

Globelyst equipment secures your load in the event of a hard stop or collision, ensuring safety for any occupants in your commercial van. Multiple lashing points allow the technician to secure and safely transport oversized items as well.

www.knapheide.com/product/sortimo-globelyst

Visit the URL and enter your zip code under "Where To Buy" for the closest Sortimo distributor

masterack[®]

COMMERCIAL VEHICLE EQUIPMENT

A Leggett & Platt Commercial Vehicle Products Company



BUSINESS LINK

The fast lane for small business.

**ON THE
JOB**

THE COST OF DOING BUSINESS
JUST WENT DOWN.

RAM



In Stock • Available for Local Installation

Partitions

Steel partitions are compatible with all ProMaster roof heights. Diamond perforations offer maximum visibility. Center door allows easy access to cargo area from cab.



Steel Partition w/ Hinged Center Door
02G465KP



Steel Partition w/ Sliding Door
02G478KP



Polycarbonate Window Panels
022536KP 16"H x 7.5"W x 14"L
Helps to control noise and temperature.



Commercial equipment upfit allowance available on all Masterack products when purchasing or leasing a new RAM ProMaster.

See your local Ram dealer for details. Restrictions apply.

masterack®

COMMERCIAL STEEL PACKAGES

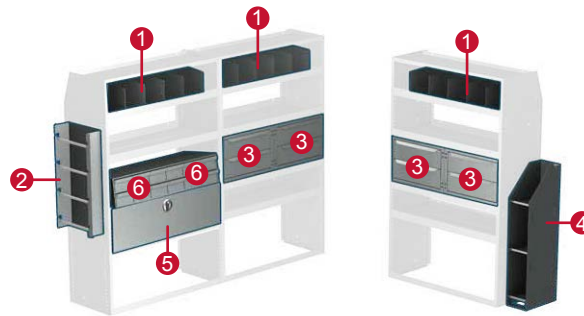
118" Wheelbase

60" Tall Shelving modules fit all ProMaster roof heights!

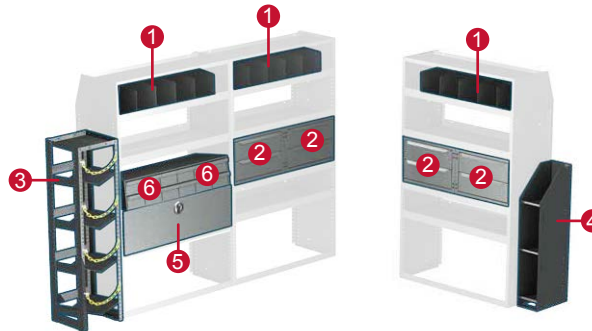


STEEL BASE PACKAGE - RAM PROMASTER 118" WB			
PACKAGE #02G466KP			
Item#	Part#	Description	Qty.
1	02A382KP	Tapered Shelf Module 60"H x 37"W x 16"D	3

+ TRADE UPGRADES



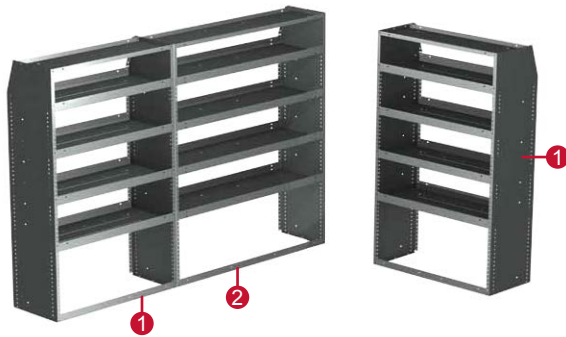
ELECTRICAL CONTRACTORS UPGRADE - RAM PROMASTER 118" WB			
Item#	Part#	Description	Qty.
1	022528KP	Shelf Dividers (set of 5) 8"H x 16"D	3
2	024304KP	Wire Spool Carrier 24"H x 12"W x 4"D	1
3	025070KP	Two Drawer Cabinet 12"H x 18.5"W x 16"D	4
4	025522KP	Manual Rack 36"H x 6"W x 12"D	1
5	027497KP	Lockable Storage Door 37"W x 12"H	1
6	02D641KP	Composite Parts 6-Drawer Cabinets 7"H x 18.5"W x 12"D	2



P/HVAC CONTRACTORS UPGRADE - RAM PROMASTER 118" WB			
Item#	Part#	Description	Qty.
1	022528KP	Shelf Dividers (set of 5) 8"H x 16"D	3
2	025070KP	Two Drawer Cabinet 12"H x 18.5"W x 16"D	4
3	025254KP	Freon Tank Rack 4-30# Tanks 46"H x 13"W x 12"D	1
4	025522KP	Manual Rack 36"H x 6"W x 12"D	1
5	027497KP	Lockable Storage Door 37"W x 12"H	1
6	02D641KP	Composite Parts 6-Drawer Cabinets 7"H x 18.5"W x 12"D	2

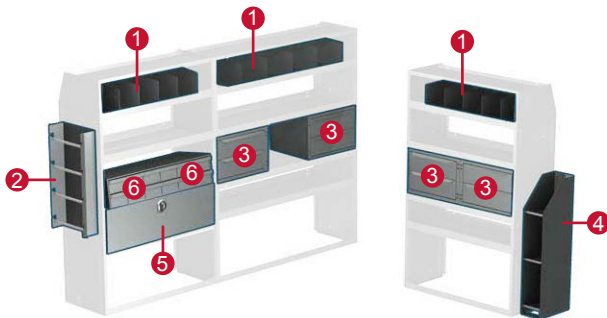
Masterack's heavy duty steel interiors are used by the nation's largest fleets and offer maximum durability for the toughest applications. Choose from pre-designed trade upgrades or accessorize with Masterack's full line of steel cabinets, drawers, dividers, and bins to maximize the efficiency of your vehicle. **Partition sold separately.**

136" Wheelbase

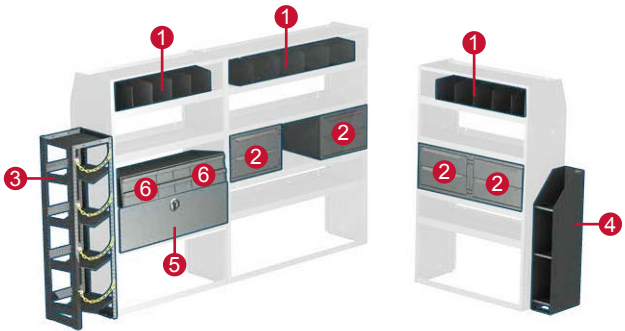


STEEL BASE PACKAGE - RAM PROMASTER 136" WB			
PACKAGE #02G467KP			
Item#	Part#	Description	Qty.
1	02A382KP	Tapered Shelf Module 60"H x 37"W x 16"D	2
2	02A384KP	Tapered Shelf Module 60"H x 51"W x 16"D	1

+ TRADE UPGRADES

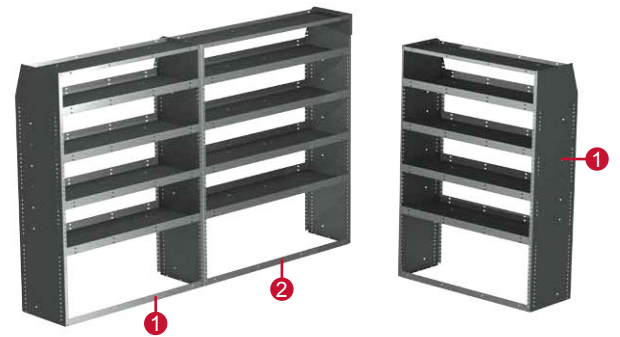


ELECTRICAL CONTRACTORS UPGRADE - RAM PROMASTER 136" WB			
Item#	Part#	Description	Qty.
1	022528KP	Shelf Dividers (set of 5) 8"H x 16"D	3
2	024304KP	Wire Spool Carrier 24"H x 12"W x 4"D	1
3	025070KP	Two Drawer Cabinet 12"H x 18.5"W x 16"D	4
4	025522KP	Manual Rack 36"H x 6"W x 12"D	1
5	027497KP	Lockable Storage Door 37"W x 12"H	1
6	02D641KP	Composite Parts 6-Drawer Cabinets 7"H x 18.5"W x 12"D	2



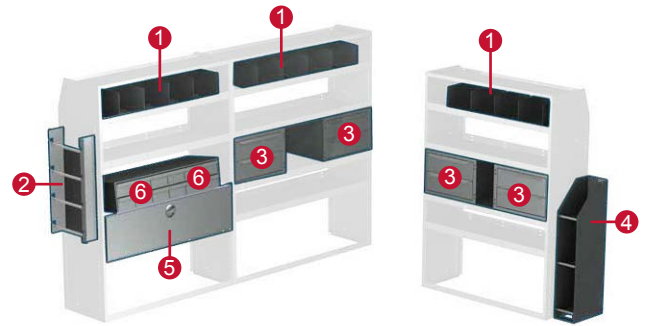
P/HVAC CONTRACTORS UPGRADE - RAM PROMASTER 136" WB			
Item#	Part#	Description	Qty.
1	022528KP	Shelf Dividers (set of 5) 8"H x 16"D	3
2	025070KP	Two Drawer Cabinet 12"H x 18.5"W x 16"D	4
3	025254KP	Freon Tank Rack 4-30# Tanks 46"H x 13"W x 12"D	1
4	025522KP	Manual Rack 36"H x 6"W x 12"D	1
5	027497KP	Lockable Storage Door 37"W x 12"H	1
6	02D641KP	Composite Parts 6-Drawer Cabinets 7"H x 18.5"W x 12"D	2

159" Wheelbase

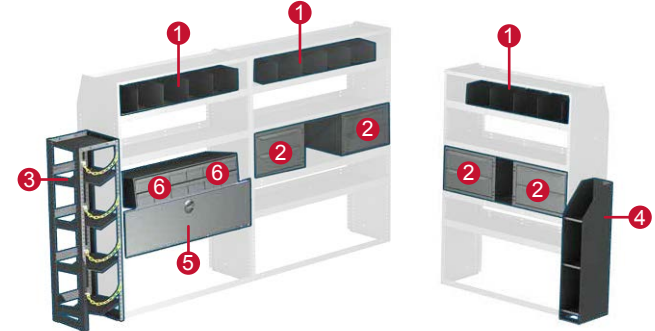


STEEL BASE PACKAGE - RAM PROMASTER 159" WB			
PACKAGE #02G468KP			
Item#	Part#	Description	Qty.
1	02A383KP	Tapered Shelf Module 60"H x 43"W x 16"D	2
2	02A384KP	Tapered Shelf Module 60"H x 51"W x 16"D	1

+ TRADE UPGRADES

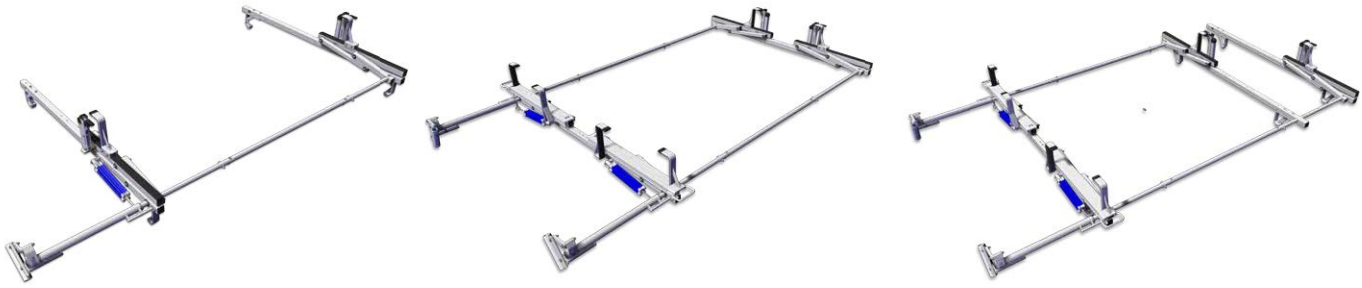


ELECTRICAL CONTRACTORS UPGRADE - RAM PROMASTER 159" WB			
Item#	Part#	Description	Qty.
1	022528KP	Shelf Dividers (set of 5) 8"H x 16"D	3
2	024304KP	Wire Spool Carrier 24"H x 12"W x 4"D	1
3	025070KP	Two Drawer Cabinet 12"H x 18.5"W x 16"D	4
4	025522KP	Manual Rack 36"H x 6"W x 12"D	1
5	027497KP	Lockable Storage Door 37"W x 12"H	1
6	02D641KP	Composite Parts 6-Drawer Cabinets 7"H x 18.5"W x 12"D	2



P/HVAC CONTRACTORS UPGRADE - RAM PROMASTER 159" WB			
Item#	Part#	Description	Qty.
1	022528KP	Shelf Dividers (set of 5) 8"H x 16"D	3
2	025070KP	Two Drawer Cabinet 12"H x 18.5"W x 16"D	4
3	025254KP	Freon Tank Rack 4-30# Tanks 46"H x 13"W x 12"D	1
4	025522KP	Manual Rack 36"H x 6"W x 12"D	1
5	027497KP	Lockable Storage Door 37"W x 12"H	1
6	02D641KP	Composite Parts 6-Drawer Cabinets 7"H x 18.5"W x 12"D	2

Ladder Racks



ERGORACK®

Allows for easy loading and unloading of ladders with hydraulic cylinder that reduces muscle strain. One pull of the handle moves the ladder from its secured position to the side of the vehicle, where it can then be easily lifted off the hooks and carried away. Improves gas mileage by being lighter than similar steel ladder rack solutions. Reduce install time and improve resell with no holes to drill.

MEDIUM ROOF (H1):

02F178KP Single Rotation

02G482KP Double Rotation

02G483KP Double Rotation w/ 3rd Crossbow for Step Ladders

HIGH ROOF (H2):

02G481KP Single Rotation

02G480KP Double Rotation

02F174KP Double Rotation w/ 3rd Crossbow for Step Ladders

Accessories



Rubber Cargo Floor Mat

Constructed of heavy duty rubber, this cargo mat offers effective protection and has a unique anti-skid, air cushion design.

02G469KP 118" WB

02G470KP 136" WB

02G471KP 159" WB

02G472KP 159" ELWB

Composite Cargo Floor

Composite floors are made from 1/2" recycled material and offer maximum protection to your van floor.

02G473KP 118" WB

02G474KP 136" WB

02G475KP 159" WB

02G476KP 159" ELWB



WINDOW SCREENS

02G477KP Rear Hinged Doors (Set of 2)

02G479KP Side Sliding



Distributed By:

For more information or to find an authorized Masterack® installer in your area, visit www.masterack.com.

Leggett & Platt Commercial Vehicle Products and Masterack are registered trademarks of Leggett & Platt, Inc.

ErgoRack is a registered trademark of R-O-M Corporation.

Ram, Ram ProMaster, & On The Job are registered trademarks of Chrysler Group LLC.

On The Job is a retail incentive program. See your local Ram Business Link dealer for official program rules.

Product specifications and availability subject to change without notice.

©2013 Leggett & Platt, Inc.





ADRIAN STEEL®

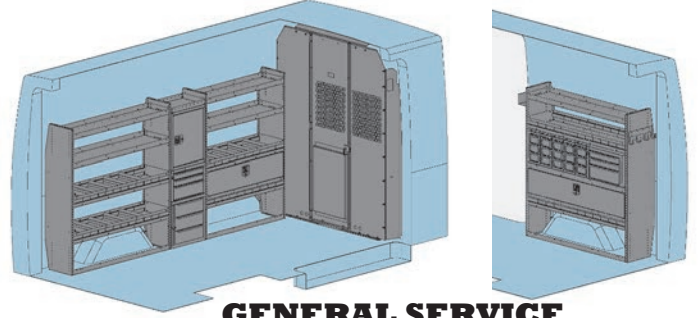
Cargo Management Solutions for Commercial Vehicles

Adrian Steel will have a full line of cargo management solutions designed for the RAM Promaster cargo van, including: partitions, shelving, cabinets, drawers, file and small parts storage, ladder racks and much more!

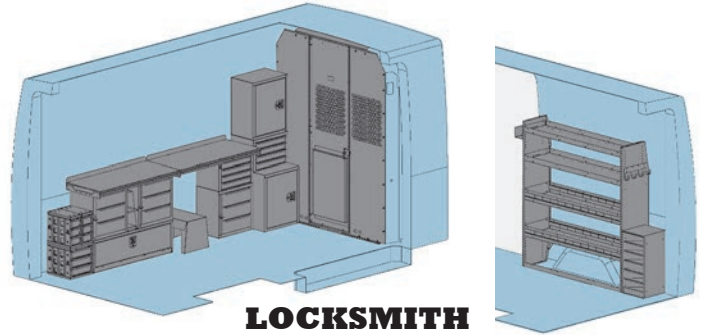


**AVAILABLE
LATE SUMMER
2013**

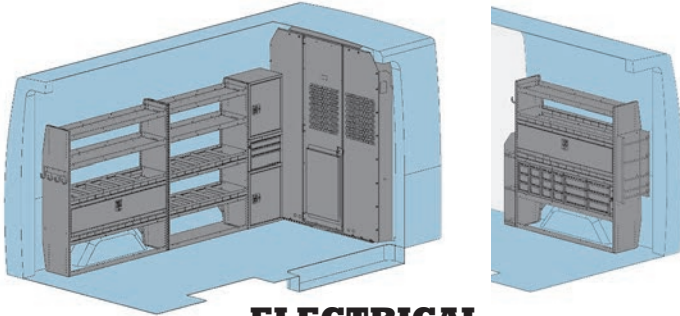
Contact your local distributor for more information about these and other cargo management solutions for the 2014 RAM Promaster.



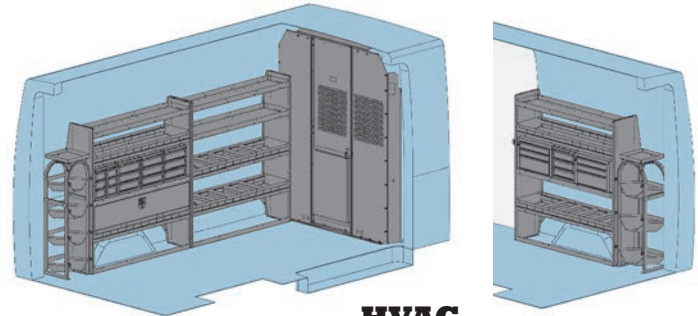
GENERAL SERVICE



LOCKSMITH



ELECTRICAL



HVAC



*Prototype product shown. Product subject to change.

800-677-2726 AdrianSteel.com



LOCATE YOUR DISTRIBUTOR

1. Go to www.adriansteel.com/distributors
2. Search by Zip code or use the state drop-down listing
3. View distributor locations and contact information on the map and list to find the store nearest you!

ALABAMA	
Alabama Ladder	Decatur
Alabama Ladder Co.	Birmingham
Commercial Van Specialists	Loxley
Knapheide Truck	Birmingham
Lafayette Automotive	Dothan
Southeastern Truck	Huntsville
ALASKA	
Auto Trim Design of Fairbanks	Fairbanks
Bob's Services, Inc.	Anchorage
ARIZONA	
Auto Safety House	Tucson
Commercial Van Interiors	Phoenix
ARKANSAS	
Auto Safety House	Phoenix
Dealers Truck Equipment	Little Rock
CALIFORNIA	
Commercial Van Interiors	San Diego
Commercial Van Interiors	Whittier
CVI of Northern California	Union City
Redding Trailer Center	Redding
COLORADO	
Frontier Truck Equipment	Commerce City
Layton Truck Equipment	Colorado Sprgs
Line-X Of Grand Junction	Grand Junction
Mastercraft Truck Equip.	Englewood
CONNECTICUT	
American Ladders & Scaffolds, Inc	Glastonbury
American Ladders & Scaffolds, Inc	Milford
Dowling Ford	Cheshire
DELAWARE	
Auto Port, Inc.	New Castle
FLORIDA	
Action Fabrication	Tarpon Springs
Advanced Van & Truck Eqt, Inc	Sanford
Advanced Work Van Interiors, Inc.	W Palm Beach
All Star Van & Truck Equip	Hollywood
Capital Hitch Service, Inc.	Tallahassee
Fleetco	Pensacola
Nichols Truck Bodies, Inc	Jacksonville
Truck & Van Works, Inc.	Fort Myers
GEORGIA	
Brunswick Auto & Truck Acc.	Brunswick
Commercial Truck & Van Eqt.	Norcross
HAWAII	
Hammer Van & Truck	Kahului
Hawaii Truck Upfitters	Aiea
IDAHO	
Canyon Truck Upfitters	Caldwell
Custom Truck	Boise
Utility Truck Equipment	Boise
Wild Things	Pocatello
ILLINOIS	
Drake-Scruggs Equipment	Springfield
Inlad Truck & Van Eqt Co	Lombard
Monroe Truck Equipment	Joliet
Pafco Truck Bodies	East Peoria
Quad City Spring	Moline
Regional Truck Equipment	Addison
Regional Truck Equipment	Alsip
Sauber Manufacturing Co.	Virgil
INDIANA	
Clark Truck Equipment Co.	Crawfordsville
Conversion Components	Elkhart
Eipers Truck Equipment	Evansville
H & H Sales Company, Inc.	Huntertown
Meyer Truck Equipment	Evansville
Meyer Truck Equipment	Jasper
Robinson Corporation	Eaton
Tebco	Indianapolis
W.A. Jones	Columbia City

IOWA	
Aspen Equipment Co.	Ankeny
Future Line	Cedar Rapids
Hawkeye Truck Equipment	Des Moines
Hiway Truck Equipment	Fort Dodge
I.W.I. Motor Parts	Dubuque
Siouxland Trailer Sales	Sioux City
KANSAS	
Truck Parts & Equipment	Topeka
Truck Parts & Equipment	Wichita
KENTUCKY	
Auto One	Louisville
Booth Fire & Safety, Inc.	Bowling Green
Manning Truck Equipment	Louisville
Superior Truck Beds & Equipment	Hopkinsville
Waits, A. Sales & Svc.	Lexington
LOUISIANA	
Dealers Truck Equipment	Baton Rouge
Dealers Truck Equipment	Shreveport
Ram Auto Supply, Inc.	Monroe
Truck & Transportation Eq	New Orleans
MAINE	
Bangor Truck Equipment	Bangor
Messer Truck Equipment	Westbrook
MARYLAND	
Adscorn	Glen Burnie
Industrial Ladder & Supply	Jessup
Inlad Truck & Van	District Hghts
Meadows Hydraulics Sales	Fruitland
The Customizers, Inc.	Hagerstown
MASSACHUSETTS	
AAA Work Trucks	Billerica
Boston Truck & Van Outfitters	Norwood
J.C. Madigan, Inc.	Lancaster
New England Van & Truck Eqt	Woburn
MICHIGAN	
ABS Storage Products	Detroit
Automotive Service Company	Jackson
Canfield Equipment	Warren
Fitzgibbons Fabricators	Jackson
GTR Equipment Co.	Traverse City
Hoekstra Truck Equipment	Grand Rapids
Knapheide Truck Equipment	Flint
Midway Rentals & Sales	Negaunee
Monroe Truck Equipment	Flint
National Ladder/Scaffold	Grand Rapids
National Ladder/Scaffold	Madison Hghts
Neil's Automotive Service	Hartford
Riverside Vans, Inc.	Colon
Scientific Brake & Equip.	Alpena
Scientific Brake & Equip.	Gaylord
Scientific Brake & Equip.	Saginaw
Truck-Tech Engineers, Inc	Westland
U.P. Off Road & Performance	Negaunee
US Workvan, Inc.	Lansing
MINNESOTA	
Aspen Equipment Co.	Bloomington
Bert's Truck Equipment	E Grand Forks
Bert's Truck Equipment	Moorhead
Industrial Ladder & Sup.	Spring Lake Pk
North Central Truck Eqt.	St. Cloud
United Truck Body Co., Inc.	Duluth
MISSISSIPPI	
Buck Sullivan, Inc.	Jackson
MISSOURI	
Bus Andrews Truck Equip.	Springfield
Classic Trailer, Inc.	Springfield
Commercial Van Interiors	Kansas City
Commercial Van Interiors	Saint Louis
Drake-Scruggs Equipment	Grandview
MONTANA	
American Welding & Gas	Bozeman
HCL Truck Equip., Inc.	Billings

Intercontinental Truck Body	Conrad
Kois Brothers Eqt. Co.	Billings
Kois Brothers Eqt. Co.	Great Falls
Tyler Towing & Accessories	Missoula
NEBRASKA	
Aspen Equipment Co.	Omaha
Badger Body	Omaha
Central Hydraulic Systems	Kearney
Hitches Galore	Scottsbluff
Matt Friend Truck Eqt.	Hastings
Shaffer Communications	Lincoln
NEVADA	
Commercial Van Interiors	Las Vegas
Custom Truck	Reno
Medtech Services, Inc.	Reno
NEW JERSEY	
A & K Equipment Co., Inc.	Rahway
Dejana Truck & Util. Eqt.	Cinnaminson
Industrial Ladder & Sup.	Moonachie
Monmouth Truck Eqt. Ctr.	Shrewsbury
NEW MEXICO	
Commercial Van Interiors	Albuquerque
NEW YORK	
Arrowhead Equipment Inc.	Queensbury
Auto Truck Concepts	White Plains
Binghamton Truck Body	Binghamton
Christian Eckhoff Truck Bodies, Inc.	Long Is. City
Dejana Truck & Util. Eqt.	Huntington
J&R Upholstery Shoppe, Inc	Binghamton
Kaminski & Sons Truck Eqt	Buffalo
Marciano's Truck Equipment	Port Chester
R.W. Truck Equip. Corp.	Farmingdale
Service Van Equipment	Liverpool
T&T Sales, Inc.	Latham
Unicell Body Company	Schenectady
Unicell Body Company, Inc	Buffalo
Unicell Body Company, Inc	Rochester
NORTH CAROLINA	
Cook Truck Equipment	Charlotte
Jim Campen Trailer Sales	Fletcher
Southern Coach	Kemersville
Van Products	Raleigh
Van Products, Inc.	Wilmington
NORTH DAKOTA	
Diamond Truck Equipment	Dickinson
Glenn's Welding & Trailer Supplies	Bismarck
Northern Truck Equipment	Fargo
OHIO	
Best Truck Equipment Inc.	Willoughby
Industrial Ladder & Sup.	Hamilton
Kaffenbarger Truck Equip.	Cincinnati
Kaffenbarger Truck Equip.	Columbus
Kaffenbarger Truck Equip.	Dayton
Kaffenbarger Truck Equip.	New Carlisle
Kalida Truck Equipment	Kalida
Kalida Truck Equipment	Walbridge
Ladders Unlimited & Sup.	Cleveland
Ohio Van & Truck Supply	Youngstown
Schodorf Truck Body & Eq.	Columbus
Shamrock Truck Equipment	Cuyahoga Falls
Work Truck Stuff of Ohio	Holland
OKLAHOMA	
Line-X Of Tulsa, Inc.	Tulsa
Perfection Truck Parts & Equip.	Oklahoma City
Southwest Trailers & Eq.	Oklahoma City
OREGON	
Cascade Truck Body	Eugene
Lithia Body & Paint	Medford
Pacific Truck Colors, Inc	Tualatin
The Truck Works	Bend
PENNSYLVANIA	
Dealer Accessory Svc.Inc.	Feasterville
Gamon Truck Equipment	Erie

Kightlinger Accessories	Coudersport
Lancaster Truck Bodies	Lancaster
New Harrisburg Truck Body	Mechanicsburg
Reading Equipment	Abington
Reading Equipment	Bowmansville
Reading Equipment	Seneca
Sabre Equipment, Inc.	Corapolis
Superior Truck Accessories	Pittston
Van Conversions, Inc.	Bethlehem
Van Conversions, Inc.	Norristown
PUERTO RICO	
V.P. Comm'l Equip., Inc.	San Juan
RHODE ISLAND	
Dejana Truck & Util.Eq.	Smithfield
SOUTH CAROLINA	
CVI Of South Carolina, Inc.	Charleston
Lee Transport Equip., Inc	Columbia
Lee Transport Equip., Inc	Rock Hill
SOUTH DAKOTA	
Northern Truck Equip Corp	Sioux Falls
Northern Truck Equip.	Rapid City
Northern Truck Equip.	Watertown
TENNESSEE	
Cherokee Truck Eqt., Llc.	Chattanooga
Hughes, O.G. & Sons, Inc.	Knoxville
Stringfellow, Inc.	Nashville
Utilities Equipment Co.	Memphis
TEXAS	
A.G. Van & Truck Equipment, Inc.	Dallas
Alamo Auto Supply	El Paso
Commercial Van Interiors	Haltom City
Commercial Van Interiors	Houston
Commercial Van Interiors	San Antonio
Dealers Truck Equip. Co.	Longview
Dealers Truck Equipment	Buda
General Body Mfg. Co.	Houston
UTAH	
Semi Service	Salt Lake City
VERMONT	
Iroquois Manufacturing Co	Hinesburg
Yipes! Corporation	Williston
VIRGINIA	
Abal Material Handling	Roanoke
Anchor Sales & Service, Inc.	Salem
Atlantic Auto Sports	Virginia Beach
Baker Equipment Co.	Richmond
Crenshaw Corporation	Richmond
Reading Equipment	Suffolk
Shade Equipment Co., Inc.	Harrisonburg
Shade Equipment Co., Inc.	Winchester
Terex Equipment Services	Glen Allen
WASHINGTON	
Allied Body Works	Seattle
Custom Truck	Spokane
I.T.E.C., Inc.	Yakima
Terex Services	Seattle
WEST VIRGINIA	
Custom Trucks Plus	Parkersburg
WISCONSIN	
Monroe Truck Equipment	Depere
Monroe Truck Equipment	Marshfield
Monroe Truck Equipment	Monroe
Northland Equipment Co.	Janesville
U.S. Upfitters Of Wi, Inc.	Menomonee Falls
Washington Equipment Ltd	Madison
Work Truck Stuff	Madison
WYOMING	
Able Equipment Co.	Casper
Ameri-Tech Equipment Co.	Evansville
Colman Equipment Company	Casper

VAN STORAGE EQUIPMENT



BY  **BUCKEYE
BODY AND
EQUIPMENT**

RAM COMMERCIAL VAN SOLUTIONS

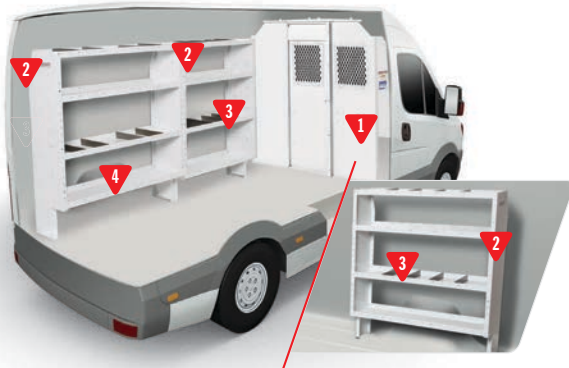
FOR PROMASTER™ VANS



WWW.WEATHERGUARD.COM

VAN PACKAGES

STARTER VAN PACK



PROMASTER™ 600-8040

MODEL	DESCRIPTION	QUANTITY
1 96142-3-01	Bulkhead, PROMASTER™, Screen	1
2 9206-3-01	STARTER VAN PACK END PANEL - 60"H (PAIR)	3
3 9107-3-01	STARTER VAN PACK 42" x 16" 4 SHELF KIT	2
4 9109-3-01	STARTER VAN PACK 60" x 16" 4 SHELF KIT	1

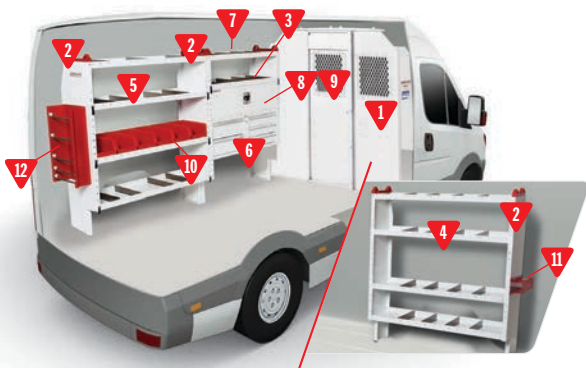
DELIVERY/BASIC



PROMASTER™ 600-8240

MODEL	DESCRIPTION	QUANTITY
1 96142-3-01	Bulkhead, PROMASTER™, Screen	1
2 96901-3-01	Swing Door Conversion Kit	1
3 9266-3-01	End Panel Pair, 16"x62"	3
4 9194-3-01	Van Shelf Set, 4 shelves 42"x16"	1
5 9195-3-01	Van Shelf Set, 4 shelves 52"x16"	1
6 9196-3-01	Van Shelf Set, 4 shelves 60"x16"	1

CONTRACTOR/REMODELER

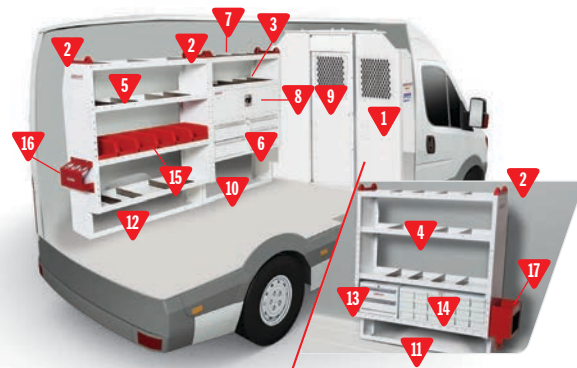


PROMASTER™ 600-8241

MODEL	DESCRIPTION	QUANTITY
1 96142-3-01	Bulkhead, PROMASTER™, Screen	1
2 9266-3-01	End Panel Pair, 16"x62"	3
3 9164-3-01	Accessory Shelf, 42"x16"	1
4 9195-3-01	Van Shelf Set, 4 shelves 52"x16"	1
5 9196-3-01	Van Shelf Set, 4 shelves 60"x16"	1
6 9045-3-01	5 Drawer Secure Storage Module 42"x17"x16"	1
7 9992-3-01	Van top shelf 42"x13"	1
8 9504-3-01	Shelf Door, 42"	1
9 9604-3-01	Accessory Back Panel, 42"	1
10 9855-7-01	REDZONE Medium Bin Set	1
11 9879-7-01	REDZONE Tool Organizer	1
12 9882-7-01	REDZONE Wire Spool Holder End Mount	1

Packages fit BOTH Standard and High Roof PROMASTER™ vans.

PLUMBER



PROMASTER™ 600-8242

MODEL	DESCRIPTION	QUANTITY
1 96142-3-01	Bulkhead, PROMASTER™, Screen	1
2 9266-3-01	End Panel Pair, 16"x62"	3
3 9164-3-01	Accessory Shelf, 42"x16"	1
4 9195-3-01	Van Shelf Set, 4 shelves 52"x16"	1
5 9196-3-01	Van Shelf Set, 4 shelves 60"x16"	1
6 9045-3-01	5 Drawer Secure Storage Module 42"x17"x16"	1
7 9992-3-01	Van top shelf 42"x13"	1
8 9504-3-01	Shelf Door, 42"	1
9 9604-3-01	Accessory Back Panel, 42"	1
10 9704-3-01	Retainer Lip, 42"	1
11 9705-3-01	Retainer Lip, 52"	1
12 9706-3-01	Retainer Lip, 60"	1
13 9912-3-01	2 Drawer Cabinet 16"x14"x12"	1
14 9918-3-01	Parts Cabinet 18 Bin 32"x12"x12"	1
15 9855-7-01	REDZONE Medium Bin Set	1
16 9874-7-01	Can Organizer	1
17 9878-7-01	REDZONE Cleaning Station	1

Now WEATHER GUARD® Van Solutions offers complete combinations of shelving, bulkheads, and accessories for a variety of professional trades for your standard or high roof PROMASTER™ van.

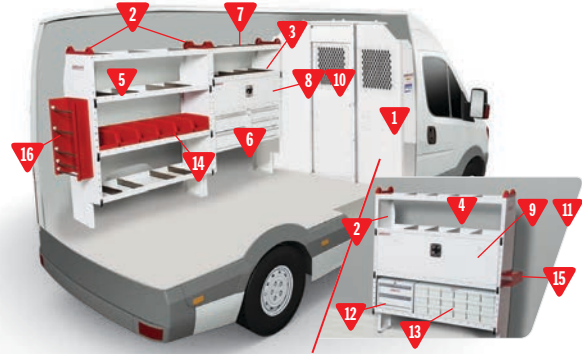
MECHANICAL CONTRACTOR/HVAC



PROMASTER™ 600-8243

MODEL	DESCRIPTION	QUANTITY
1	96142-3-01 Bulkhead, PROMASTER™, Screen	1
2	9266-3-01 End Panel Pair, 16"x62"	3
3	9164-3-01 Accessory Shelf, 42"x16"	1
4	9194-3-01 Van Shelf Set, 4 shelves 42"x16"	1
5	9195-3-01 Van Shelf Set, 4 shelves 52"x16"	1
6	9045-3-01 5 Drawer Secure Storage Module 42"x17"x16"	1
7	9992-3-01 Van top shelf 42"x13"	1
8	9504-3-01 Shelf Door, 42"	1
9	9604-3-01 Accessory Back Panel, 42"	1
10	9912-3-01 2 Drawer Cabinet 16"x14"x12"	1
11	9918-3-01 Parts Cabinet 18 Bin 32"x12"x12"	1
12	9864-3-01 Refrigerant Tank Rack 4x30#	1
13	9874-7-01 Can Organizer	1

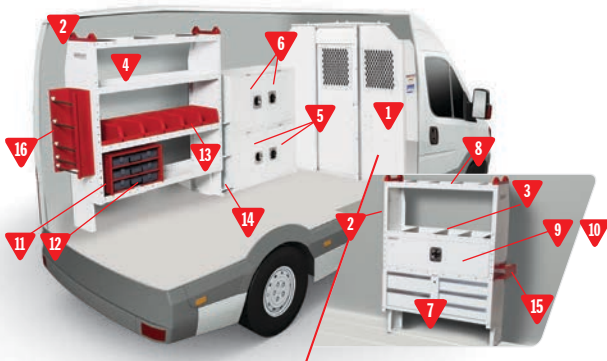
ELECTRICIAN/ELECTRICAL CONTRACTOR



PROMASTER™ 600-8244

MODEL	DESCRIPTION	QUANTITY
1	96142-3-01 Bulkhead, PROMASTER™, Screen	1
2	9266-3-01 End Panel Pair, 16"x62"	3
3	9164-3-01 Accessory Shelf, 42"x16"	1
4	9195-3-01 Van Shelf Set, 4 shelves 52"x16"	1
5	9196-3-01 Van Shelf Set, 4 shelves 60"x16"	1
6	9045-3-01 5 Drawer Secure Storage Module 42"x17"x16"	1
7	9992-3-01 Van top shelf 42"x13"	1
8	9504-3-01 Shelf Door, 42"	1
9	9505-3-01 Shelf Door, 52"	1
10	9604-3-01 Accessory Back Panel, 42"	1
11	9605-3-01 Accessory Back Panel, 52"	1
12	9912-3-01 2 Drawer Cabinet 16"x14"x12"	1
13	9918-3-01 Parts Cabinet 18 Bin 32"x12"x12"	1
14	9855-7-01 REDZONE Medium Bin Set	1
15	9874-7-01 Can Organizer	1
16	9882-7-01 REDZONE Wire Spool Holder End Mount	1

TELECOM/SECURITY



PROMASTER™ 600-8245

MODEL	DESCRIPTION	QUANTITY
1	96142-3-01 Bulkhead, PROMASTER™, Screen	1
2	9266-3-01 End Panel Pair, 16"x62"	2
3	9164-3-01 Accessory Shelf, 42"x16"	1
4	9196-3-01 Van Shelf Set, 4 shelves 60"x16"	1
5	9020-3-01 Lockable Cabinet, no shelf 22" x18"x16"	2
6	9021-3-01 Lockable Cabinet, 1 shelf 22"x18"x16"	2
7	9045-3-01 5 Drawer Secure Storage Module 42"x17"x16"	1
8	9992-3-01 Van top shelf 42"x13"	1
9	9504-3-01 Shelf Door, 42"	1
10	9604-3-01 Accessory Back Panel, 42"	1
11	9950-7-01 Parts Box Cabinet 20"x14"x13"	1
12	9951-9-01 Parts Box, adj compartments 18"x13"x3"	3
13	9855-7-01 REDZONE Medium Bin Set	1
14	9860-3-01 Catalog File Unit, 6"x36"x12"	1
15	9861-3-01 Cable Reel Holder Floor Mount	1
16	9879-7-01 REDZONE Tool Organizer	1

GENERAL SERVICE



PROMASTER™ 600-8246

MODEL	DESCRIPTION	QUANTITY
1	96142-3-01 Bulkhead, PROMASTER™, Screen	1
2	9266-3-01 End Panel Pair, 16"x62"	2
3	9164-3-01 Accessory Shelf, 42"x16"	1
4	9444-3-01 Wheel Well Cabinet, 42"x15"x14"	1
5	8867-3-01 Work Top, 42"	1
6	9040-3-01 Lockable Secure Storage Module 42"x17"x16"	1
7	9992-3-01 Van top shelf 42"x13"	1
8	9912-3-01 2 Drawer Cabinet 16"x14"x12"	1
9	9914-3-01 4 Drawer Cabinet 16"x14"x12"	1
10	9918-3-01 Parts Cabinet 18 Bin 32"x12"x12"	1
11	9880-3-01 Literature Holder 6 compartment	1
12	9882-7-01 REDZONE Wire Spool Holder End Mount	1

WEATHER GUARD® ROOF AND LADDER RACKS

We have a roof rack for every van type and size, from compacts to high-roofs. Choose the EZ-GLIDE® System for easy ladder drop-down, the gas spring assisted Quick Clamp aluminum racks, or our rugged All-Purpose Racks. WEATHER GUARD® ladder racks offer a range of mounting and accessory options.



EZ-GLIDE® Ladder Racks

The quickest, easiest, and safest drop-down ladder rack system available. With just a twist of a lever, EZ-GLIDE® System gently delivers your ladder to the right spot for back-saving loading and unloading. When the work is done, another twist is all it takes to have the ladder packed away and ready to roll.

SLIDING LADDER RACK FOR PROMASTER™



Our Sliding Ladder Rack provides quick and easy ladder storage inside your van, enclosed trailer, or cube van. Rugged and durable, this rack fits 8-foot step, extension, or multi-position ladders and can be mounted to the roof or side panel.

PROMASTER™
Model 250

EZ-Glide® System for PROMASTER™

MODEL	DETAILS	WEIGHT
280-3-01	Drop Down Ladder Rack for High Roof vans. Includes rear slide down system.	80 lbs.
285-3-01	Drop Down Ladder Rack for Standard Roof vans. Does not include rear slide down system.	70 lbs.
287-3-01	Driver's side Drop Down kit for 285-3-01	54 lbs.
286-3-01	Driver's side Drop Down kit for 280-3-01	63 lbs.

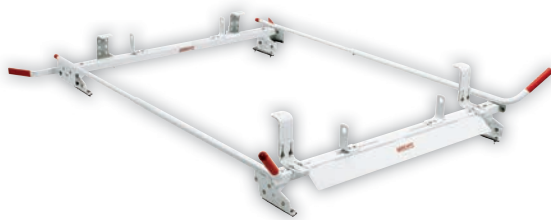
EZ-Glide® System Installation Kit for PROMASTER™ PASSENGER SIDE ONLY DROP DOWN KIT (MUST ORDER 1 EA)

MODEL	DETAILS
2508F	PROMASTER Street Side mounting kit (contains two mounting brackets)
2508T	PROMASTER Drop Down mounting kit (contains two mounting brackets and connecting drive rod)

PASSENGER & DRIVER SIDE DROP DOWN (MUST ORDER 2 EA)

MODEL	DETAILS
2508T	PROMASTER Drop Down mounting kit (contains two mounting brackets and connecting drive rod)

C/V TRADESMAN LADDER RACKS



Quick Clamp Aluminum Rack

MODEL	DETAILS	WEIGHT
223-3-01	Single clamp for curb side only	41 lbs.
224-3-01	Dual clamp for street and curb side	46 lbs.



All Purpose Aluminum Rack

MODEL	DETAILS	WEIGHT
218-3	2 cross member rack	25 lbs.
222-3	Accessory cross member	13 lbs.

EZ-Glide® System for C/V TRADESMAN®

MODEL	DETAILS	WEIGHT
253	Drop Down Ladder Rack for Compact Size Vans.	67 lbs.



For information on the WEATHER GUARD® Van Solutions Limited Lifetime Warranty, visit www.weatherguard.com
To order more WEATHER GUARD® Van Solutions OEM brochures, please call us at **800.456.7865**



PROMASTER™ is a registered trademarks of Chrysler Group LLC. RevB

Offered by:
Buckeye Body & Equipment
614-299-1136

www.buckeyebody.com