

# TUK-A-WAY® SERIES

## The 72-150 & TE-20 Series



### Wedge Platform

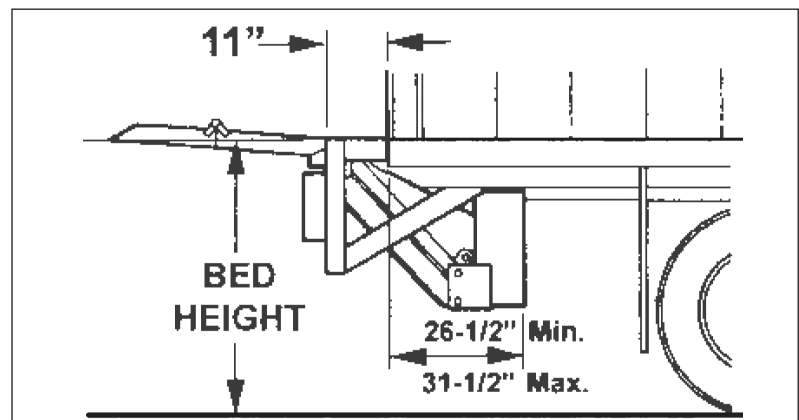
72"/84" x 36" (22 + 14) Wedge Platform available via Special Order Request

## 72-150 & TE-20 SPECIFICATIONS

The 72-150 & 72-20 Center Arm Series of Tuk-A-Way® liftgates are the economical choice for general purpose applications requiring 1,500 lbs. to 2,000 lbs. lifting capacity. The minimum laden bed height of 38" makes the 72-150 & 72-20 an ideal solution for low bed height applications.

- Center Arm, Low Maintenance
- Standard Ride
- Low Bed Height
- Platform folds and stows under the body in the dock ready position

MODEL CAPACITY	PLATFORM	RAMP	TOTAL WEIGHT	BED HEIGHT
72-150 (1,500 LBS.)	32" X 72"	4"	542 Lbs.	38" Min. w/Body Laden
	32" X 84"		567 Lbs.	
TE-20 (2,000 LBS.)	32" X 72"		551 Lbs.	
	32" X 84"		570 Lbs.	



Lift Dimensions and Mounting Requirements

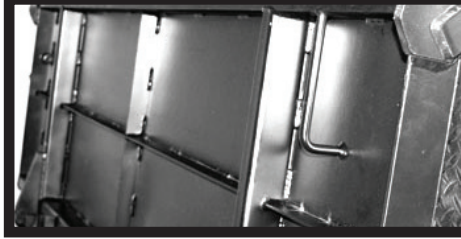
# TUK-A-WAY® SERIES

## The 72-150 & TE-20 Series

# MAXON®

### Optional Features

- Heavy-Duty Dock Bumpers
- Dock Bumper Rubber Pads
- Street Side Controls
- Power Down Electric Control
- 150 Amp Circuit Breaker (No Charge Option)
- Extruded Aluminum Platform
- Galvanized Finish



### EFFICIENT LIGHTWEIGHT DESIGN

Because of the efficient lightweight structural design and the standard Electric Station on the 72-150 and the TE-20, minimal operator effort is required.



### STANDARD ELECTRIC CONTROL

The Electric Control Station mounted on the vehicles corner post is within easy reach while standing on the ground or while riding on the platform.



### DIRECT TORSION SPRING ASSIST

The exclusive MAXON design uses a direct torsion spring to assist the operator in opening the platform and flipover sections. The direct spring is factory set and is virtually maintenance free in normal use.



### MAXPRO® Paint or GALVANIZED Finish

This patented, Maxon exclusive paint process has a tough polyurea top coat and an AL rich primer that combat corrosion and keep the liftgate looking like new. For even more corrosion protection, the 72-150 & TE-20 are also available in a galvanized finish.

### Standard Equipment

- **2 GAUGE CABLE**  
For maximum operating efficiency and increased electrical component life. Maxon uses factory assembled, heavy-duty 2-gauge charge line.
- **FULL LENGTH FLIP-OVER SUPPORT**  
Maxon uses a full length, formed steel shell to support the flipover, eliminating the potential for buckling at the Platform/Flipover seam.
- **HEAVY-DUTY SUPPORTS**  
Maxon uses heavy-duty tubing and channel under the body extension plate to prevent deflection common to gusset supported designs.
- **PUMP AND MOTOR ENCLOSURE**  
A Sealed plastic cover is standard equipment and helps to protect the pump motor from dirt and weather.

**Distributed by:**